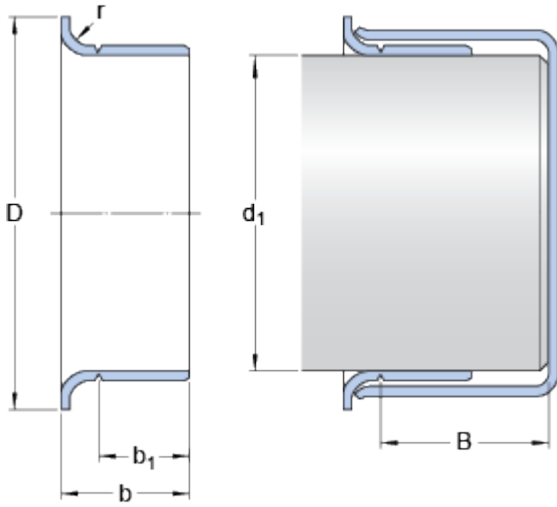


# 99139

## Dimensions



### Nominal dimensions

$d_1$		34.925	mm
$D$		41.605	mm
Tolerance outside diameter $D$	$\pm$	1.6	mm
$b$		16.002	mm
Tolerance width $b$	$\pm$	0.8	mm
$b_1$		13.005	mm
Tolerance width $b_1$	$\pm$	0.8	mm
$B$	max.	20.65	mm
$r$	max.	3.18	mm

### Shaft diameter range

$d_1$	min.	34.925	mm
$d_1$	max.	35.077	mm